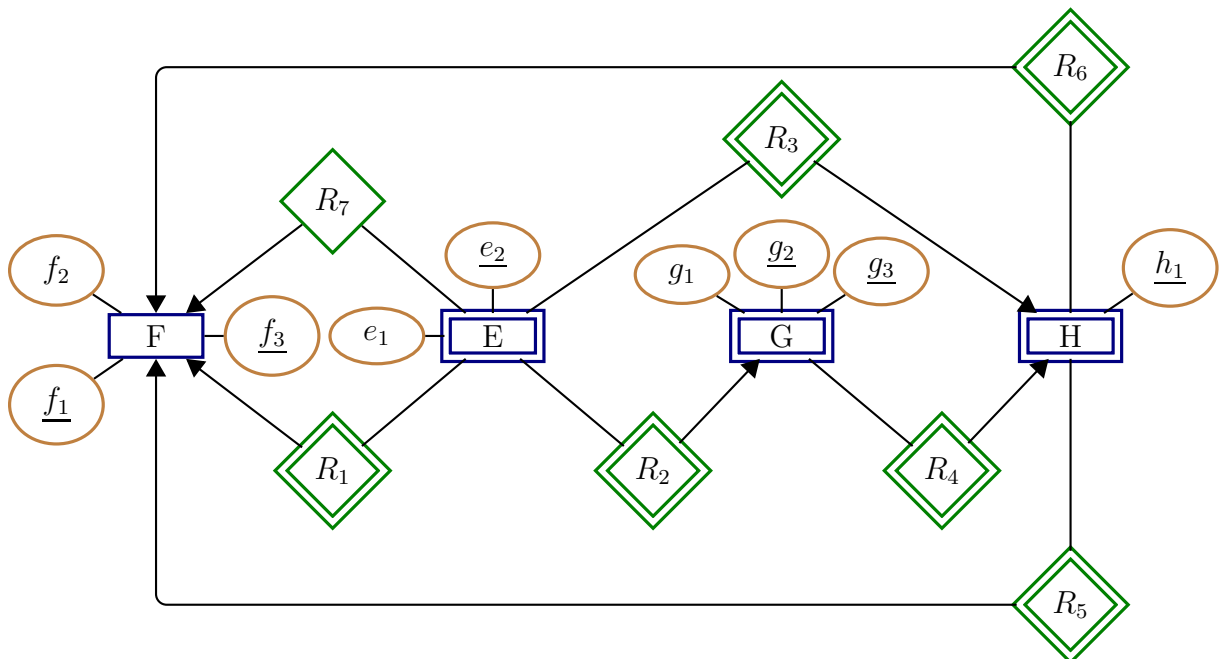


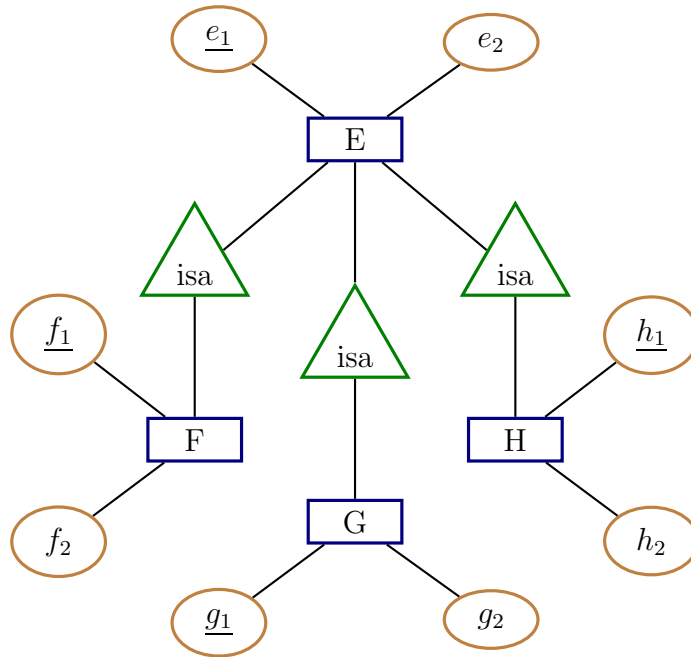
Midterm exam 2 will be held on Thursday, November 15th.

1. List the members of your group below. Underline your name.
2. Determine the primary key of each of the entity sets below. Explain your answer.



3. Map the ER diagram of Question 2 to a relational schema.

4. Map the following ER diagram to a relational schema using each of the three methods for mapping subclass structures to relations: (1) ER style, (2) object-oriented style, and (3) using nulls.



5. Provide UML class diagrams corresponding to each of the ER diagrams in Questions 2 and 4.