

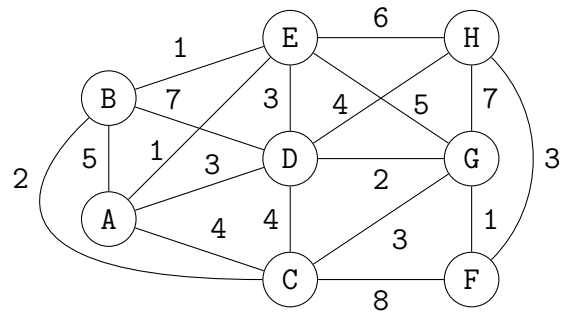
Today: Shortest-paths; §§ 14.{3,4,5}.

Next class Homework due; catch-up; synthesis; §§ 14.{4,5}.

Reminders: Portfolio work; newsgroup; homework.

1. Write your group members' names below. Underline your name.

2. Trace the action of Dijkstra's single-source shortest-path algorithm on the following graph, with source A. Use a skew heap to maintain current distances and clearly depict the state of the heap after each change.



[additional space for answering the earlier question]

